

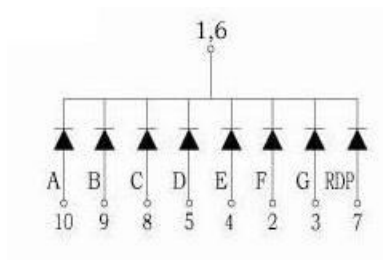
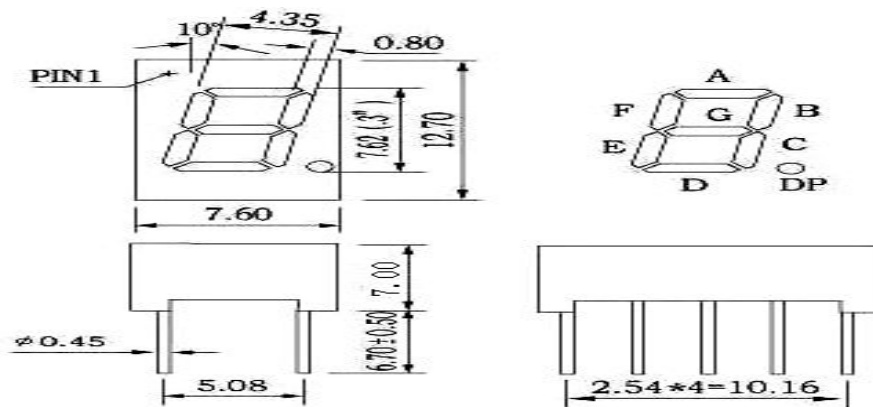
ABSOLUTE MAXIMUM RATINGS AT AMBIENT TEMPERATURE

| PARAMETER | VALUE | UNITS |
|--|------------------|--------------|
| Peak Forward Current Per Segment(1/10 Duty Cycle, 0.1ms pulse width) | 80 | mA |
| Continuous Forward Current Per Segment | 20 | mA |
| Recommend Operating Current | 12 | mA |
| Reverse Voltage Per Segment | 5 | V |
| Operating Temperature Range | -25 to +85 | °C |
| Storage Temperature Range | -30 to +85 | °C |
| Junction Temperature | 85 | °C |
| Lead Solder Temperature(1/10 Inch Below Seating Plane) | 260° C for 3 sec | |

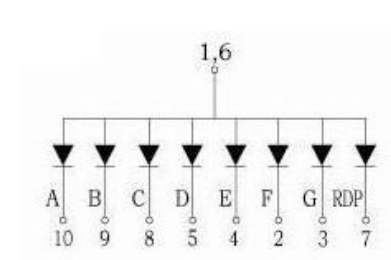
TECHNICAL SPECS

| SI No | Part No | Colour | Body colour | Forward Voltage | Intensity (mcd) | Wave Length nm | Number of Pins |
|-------|------------------|--------|-------------|-----------------|-------------------|----------------|----------------|
| 01 | LSA / LSC 282B | GREEN | BLACK | 1.9/2.4 | 4 – 20 | 568 – 570 | 10 |
| 02 | LSA/ LSC 282G | GREEN | GREY | 1.9/2.4 | 4 – 20 | 568 – 570 | 10 |
| 03 | LSA / LSC 282PGB | GREEN | BLACK | 3.0/3.5V | 50 - 60 | 525 – 530 | 10 |
| 04 | LSA / LSC 282PGG | GREEN | GREY | 3.0/3.5V | 50 – 60 | 525 – 530 | 10 |
| 05 | LSA / LSC 286B | RED | BLACK | 1.9/2.4 V | 20 - 36 | 635 – 640 | 10 |
| 06 | LSA / LSC 286G | RED | GREY | 1.9/2.4V | 20 – 36 | 635 – 640 | 10 |
| 07 | LSA / LSC 283B | YELLOW | BLACK | 1.9/ 2.4V | 20 – 36 | 590 – 595 | 10 |
| 08 | LSA / LSC 283G | YELLOW | GREY | 1.9 /2.4V | 20 – 36V | 590 – 595 | 10 |
| 09 | LSA / LSC 281B | BLUE | BLACK | 3.0/3.5V | 20 – 36V | 465 – 470 | 10 |
| 10 | LSA / LSC 281G | BLUE | GREY | 3.0 /3.5V | 20 – 36V | 465 – 470 | 10 |

MECHANICAL DIMENSIONS AND PIN CONFIGURATION



CA



CC