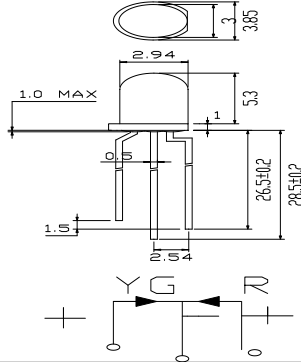


3MM BI COLOR LED SPECIFICATIOS

ABSOLUTE MAXIMUM RATINGS

PARAMETER	SYMBOL	RANGE
Peak Forward Current	I _{fp}	100 mA
Reverse Voltage	V _r	5V
Operating Temperature Range	T _{op}	-40°C to +80°C
Storage Temperature Range	T _{sg}	-48°C to +80°C
Lead Soldering Temperature	T _{sol}	268°C for 5 seconds

TEST CONDITIONS			
PARAMETER	SYMBOL	UNIT	TEST CONDITON
Reverse Voltage	V _r	V	I _r =10μA
Reverse Current	I _r	μA	V _r =5V
Forward voltage	V _f	mV	I _f =20mA
Luminous Intensity	I _v	mcd	I _f =20mA



SL NO	PART NO	SIZE	SHAPE	COLOUR	LENS TYPE	INTENSITY (I _v in mcd)	WAVE LENGTH (nm / ct)	FORWARD VOLTAGE (V)	VIEWING ANGLE IN DEGREES
1	LLR3RGDCA	3mm	ROUND	RED/GREEN	WHITE DIFFUSED	R: 80 - 120/ G: 40 - 90	R=620 - 630 / G = 570 - 575	R/G : 1.8 - 2.4V	75
2	LLR3RGDCC	3mm	ROUND	RED/GREEN	WHITE DIFFUSED	R: 120 - 150/ G: 100 - 120	R=620 - 630 / G = 570 - 575	R/G : 1.8 - 2.4V	75
3	LLR3RPGDCA	3mm	ROUND	RED/GREEN	WHITE DIFFUSED	R : 80 - 120 / G : 400 - 500	R=620 - 630 / G = 525 - 530	R/G : 1.8 - 2.4V/3.0 - 3.5V	75
4	LLR3RPGDCC	3mm	ROUND	RED/GREEN	WHITE DIFFUSED	R :120 - 150 / G : 600 - 800	R=620 - 630 / G = 525 - 530	R/G : 1.8 - 2.4V/3.0 - 3.5V	75
5	LLR3RYDCA	3mm	ROUND	RED / YELLOW	WHITE DIFFUSED	R : 80 - 120 / Y : 80 - 120	R=620 - 630 / Y = 585 - 595	R/Y : 1.8 - 2.4V	75
6	LLR3RYDCC	3mm	ROUND	RED/YELLOW	WHITE DIFFUSED	R=120 - 150 / Y = 120 - 150	R=620 - 630 / Y = 585 - 595	R/Y : 1.8 - 2.4V	75
7	LLR3GYDCA	3mm	ROUND	GREEN/YELLOW	WHITE DIFFUSED	G = 40 - 90 / Y = 120 - 150	G=570 - 575 / Y = 585 - 595	G/Y : 1.8 - 2.4V	75
8	LLR3GYDCC	3mm	ROUND	GREEN / YELLOW	WHITE DIFFUSED	G=100 - 120 / Y=150 - 200	G=570 - 575 / Y = 585 - 595	G/Y : 1.8 - 2.4V	75
9	LLR3YADCA	3mm	ROUND	YELLOW / AMBER	WHITE DIFFUSED	Y=120 - 150 / A=100 - 120	Y=585 - 595 / A= 605 - 610	A/Y : 1.8 - 2.4V	75
10	LLR3YADCC	3mm	ROUND	YELLOW / AMBER	WHITE DIFFUSED	Y=150 - 200 / A= 120 - 150	Y=585 - 595 / A= 605 - 610	A/Y : 1.8 - 2.4V	75
11	LLR3RGWCCA	3mm	ROUND	RED/GREEN	WATER CLEAR	R: 80 - 120/ G: 40 - 90	R=620 - 630 / G = 570 - 575	R/G : 1.8 - 2.4V	30
12	LLR3RGWCCC	3mm	ROUND	RED/GREEN	WATER CLEAR	R: 120 - 150/ G: 100 - 120	R=620 - 630 / G = 570 - 575	R/G : 1.8 - 2.4V	30
13	LLR3RPGWCCA	3mm	ROUND	RED/GREEN	WATER CLEAR	R : 80 - 120 / G : 400 - 500	R=620 - 630 / G = 525 - 530	R/G : 1.8 - 2.4V/3.0 - 3.5V	30
14	LLR3RPGWCCC	3mm	ROUND	RED/GREEN	WATER CLEAR	R :120 - 150 / G : 600 - 800	R=620 - 630 / G = 525 - 530	R/G : 1.8 - 2.4V/3.0 - 3.5V	30
15	LLR3RYWCCA	3mm	ROUND	RED / YELLOW	WATER CLEAR	R : 80 - 120 / Y : 80 - 120	R=620 - 630 / Y = 585 - 595	R/Y : 1.8 - 2.4V	30
16	LLR3RYWCCC	3mm	ROUND	RED/YELLOW	WATER CLEAR	R=120 - 150 / Y = 120 - 150	R=620 - 630 / Y = 585 - 595	R/Y : 1.8 - 2.4V	30
17	LLR3GYWCCA	3mm	ROUND	GREEN/YELLOW	WATER CLEAR	G = 40 - 90 / Y = 120 - 150	G=570 - 575 / Y = 585 - 595	G/Y : 1.8 - 2.4V	30
18	LLR3GYWCCC	3mm	ROUND	GREEN / YELLOW	WATER CLEAR	G=100 - 120 / Y=150 - 200	G=570 - 575 / Y = 585 - 595	G/Y : 1.8 - 2.4V	30
19	LLR3YAWCCA	3mm	ROUND	YELLOW / AMBER	WATER CLEAR	Y=120 - 150 / A=100 - 120	Y=585 - 595 / A= 605 - 610	A/Y : 1.8 - 2.4V	30
20	LLR3YAWCCC	3mm	ROUND	YELLOW / AMBER	WATER CLEAR	Y=150 - 200 / A= 120 - 150	Y=585 - 595 / A= 605 - 610	A/Y : 1.8 - 2.4V	30